

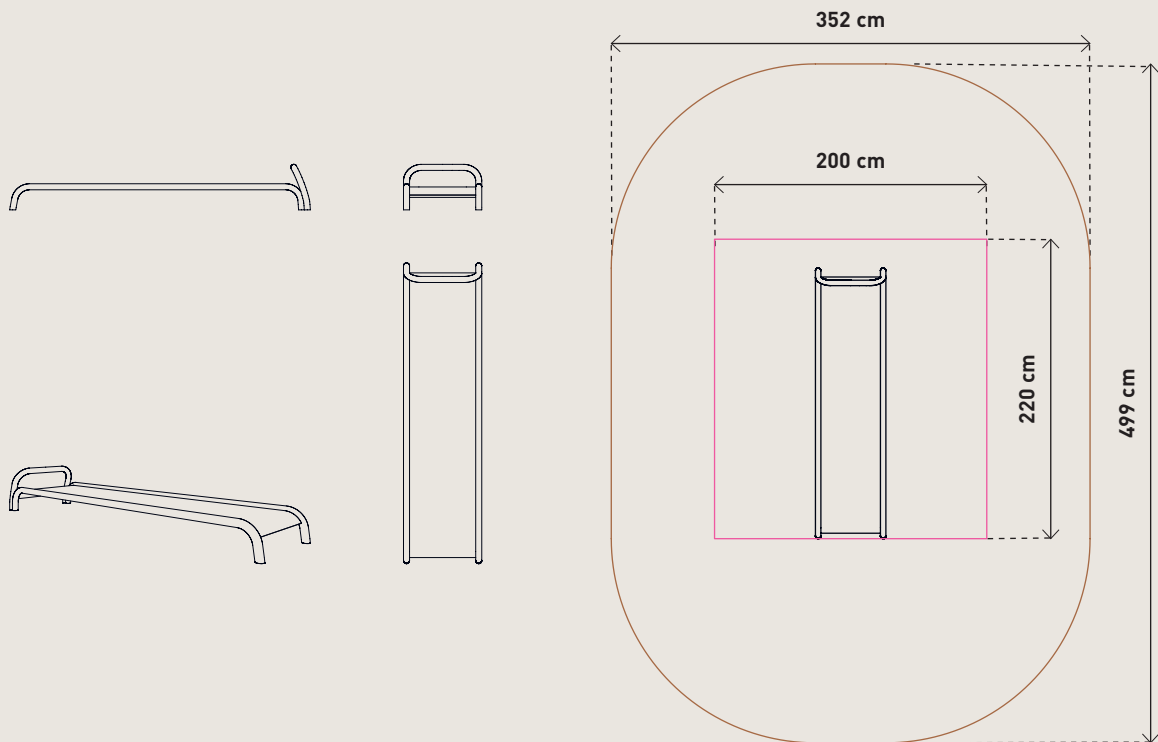
NOORD no.: no-013

SPIRER STRAIGHT BENCH



Dimension in cm: L200 x W56x H32 cm
Material: Steel
Corrosion class: C4
Surface treatment: Rust-protected and powder-coated

Traning space: _____
Area of movement: _____
Free height fall: 32 cm
Impact damping rewuired: Non
According to: EN 16630



EXERCISES / STRETCH OUT

