

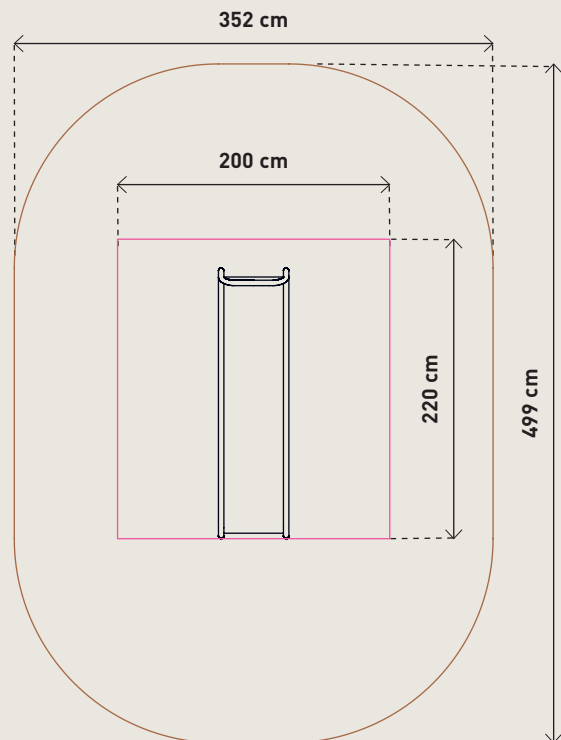
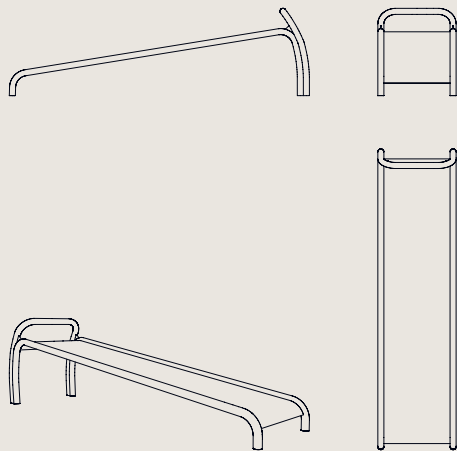
NOORD no.: no-012

SPIRER INCLINE BENCH



Dimension in cm: L200 x W56 x H58 cm
Material: Steel
Corrosion class: C4
Surface treatment: Rust-protected and powder-coated

Training space: _____
Area of movement: _____
Free height fall: 58 cm
Impact damping required: Non
According to: EN 16630



EXERCISES / STRETCH OUT

